

Main Features

- ◆ Support NVIDIA MXM3.1 graphic card
- ◆ Support MXM type A & type B
- ◆ Support MXM TDP 120W
- ◆ Display ports : 4 x DP, 1 x VGA (by MXM design)
- ◆ 1 x Fan connector (smart fan by MXM design)
- ◆ 1 x 6-pin connector for Ext MXM power connector

Product Overview

The EBK-MXM-P16 is NVIDIA MXM3.1 graphic card to PCIe 16x riser.

Specifications

NVIDIA MXM3.1 Graphic Card

- ◆ MXM-T serial & MXM-P serial & MXM-R serial
- ◆ Support MXM type A (82 x 70mm) & type B (82 x 105mm)
- ◆ Support TDP 120W

Display

- ◆ 4 x DP ports resolution: 8K (7680 x 4320) 60Hz, 4K 120Hz by MXM display design
- ◆ 1 x VGA resolution up to 1920 x 1080 @ 60 Hz by
- ◆ MXM display design

Power Requirement

- ◆ 1 x Fan connector
- ◆ 1 x 6-pin connector for Ext MXM power connector

Dimensions

- ◆ PCIe half size. 106.68 x 175.26mm & (H:2 slot)

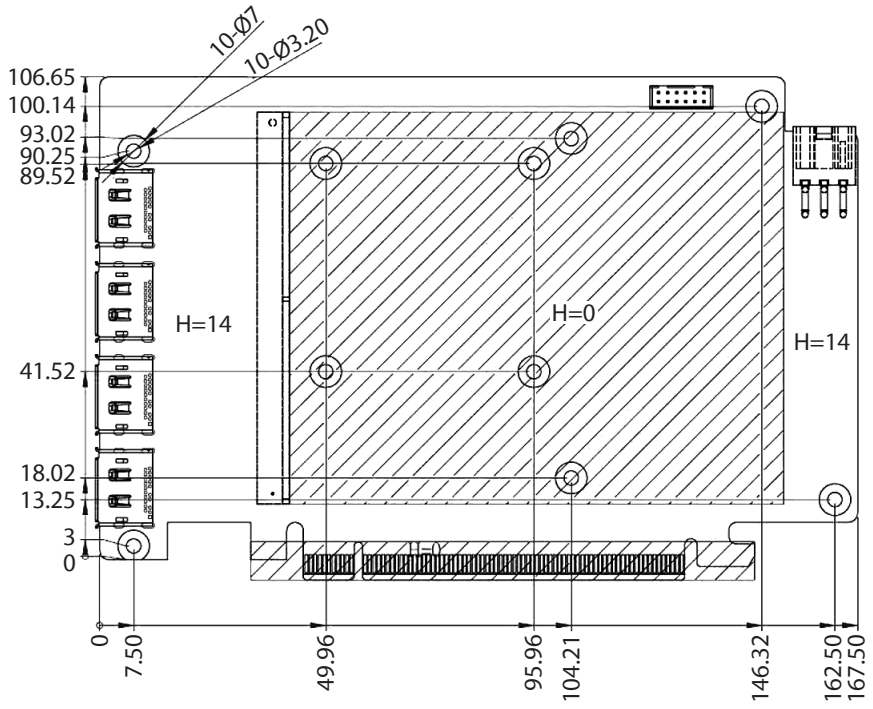
Environment

- ◆ Board level operation temperature: 0°C to 60°C
- ◆ Storage temperature: -40°C to 85°C
- ◆ Relative humidity:
 - 0% to 95% (operating, non-condensing)
 - 0% to 95% (non-operating, non-condensing)

Certifications

- ◆ Meet CE/FCC Class A

Dimension Drawing



Ordering Information

Barebone

- EBK-MXM-P16 (P/N: TBD)

Optional accessories

- VGA cable (P/N: TBD)

NVIDIA MXM graphic card

- Type A T1000 (82 x 70mm) (P/N: TBD)
- Type B RTX3000 (82 x 105mm) (P/N: TBD)